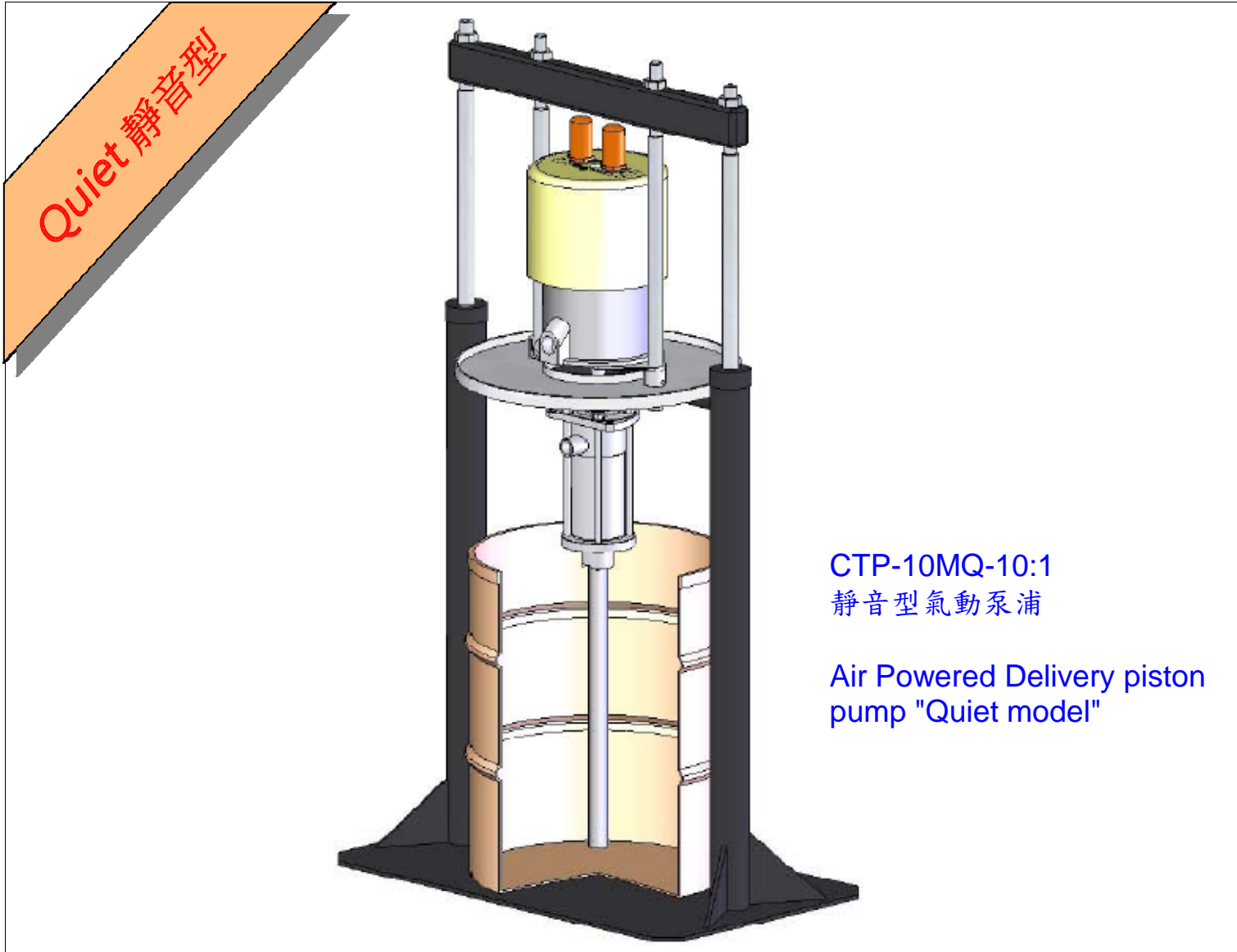




Fuspec Taiwan Pty., Ltd.

Air - Powered Delivery Piston Pump
氣動式/塗料/原料 輸送泵浦



CTP-10MQ-10:1
靜音型氣動泵浦

Air Powered Delivery piston
pump "Quiet model"



春泰機械工程有限公司

Fuspec Taiwan Pty., Ltd

桃園縣龜山鄉 333 忠義路 2 段 260 巷 65 號

TEL: 886-3-3185977 FAX: 886-3-3185978

No. 65, Lane 260, Sec. 2, Jhong Yi Rd.,

Guei Shan Town, Taoyuan 333, Taiwan

www.fuspec.com.tw E-Mail: fpec@ms22.hinet.net

Air – Powered Delivery Piston Pump

氣動式/塗料/原料 輸送泵浦

Features 優點：

- ◎ Reliable medium pressure supply
專門為中/高粘度設計的中壓泵浦
- ◎ 2 ball check pump operation for uniform flow.
2道逆止設計，出料順暢
- ◎ Excellent abrasion and corrosion resistance
減少磨耗與耐磨蝕
- ◎ Divorced air motor eliminates fluid and fume contamination, reducing maintenance.
氣動馬達與抽料活塞分離設計保養容易，壽命較長
- ◎ Explosion proof air- powered pump
氣動式防爆馬達

Typical User needs 產業提昇要點：

- ◎ production increase 提高產量
- ◎ Quality requirement 品質提昇
- ◎ Labor savings 減低人工成本
- ◎ Waste reduction 減少廢棄物
- ◎ Bulk purchasing 大批量生產
- ◎ Maintenance reduction 減少維修
- ◎ Regulatory compliance 固定生產模式
- ◎ Automatic production 自動化生產

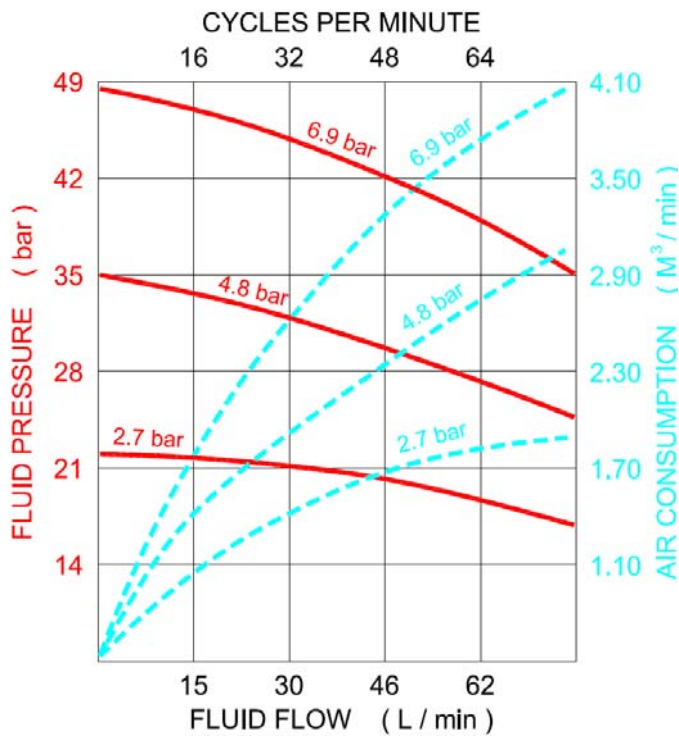
Fluids 適用原料：

- ◎ Waterborne 水系原料
- ◎ Resins 樹脂
- ◎ Inks/Dyes 油墨
- ◎ Acids 酸性原料
- ◎ Solvent 溶劑
- ◎ Undercoating 汽車底漆
- ◎ Paint 塗料
- ◎ Wax 腊
- ◎ Adhesives 接著劑

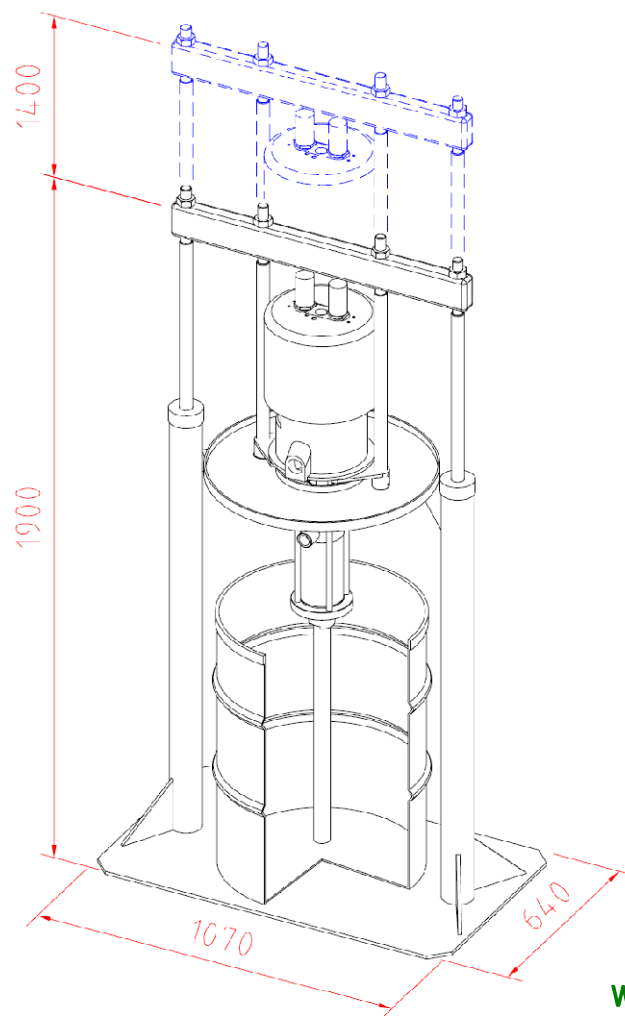
Air - Powered Delivery Piston Pump

氣動式/塗料/原料 輸送泵浦

CTP - 10MQ - 10:1



Specification	Model	CTP-10MQ-10 : 1 (Q08-010)
壓力比 (Ratio)		10:1
吐出量 (Flow rate)		60 l/min
最大輸出壓力 (Fluid outlet - Max.)		60 bar
最大空氣壓力 (Air inlet - Max.)		7 bar
氣動馬達 (Air motor diameter)		Φ 254mm
空氣消耗 (Air consumption-3bar)		2800 l/min
空氣入口 (Air inlet size)		1/2" PT
泵浦出口 (Fluid outlet size)		1 1/2" PT
原料容器 (Container size)		55 Gal
昇降汽缸 (Air powered lift)		two post
噪音 (Noise level)		85 dB



WEIGHT : 300KGS

WEIGHT : 320KGS

2007/10/21